

MOTOR

potential free signal cable

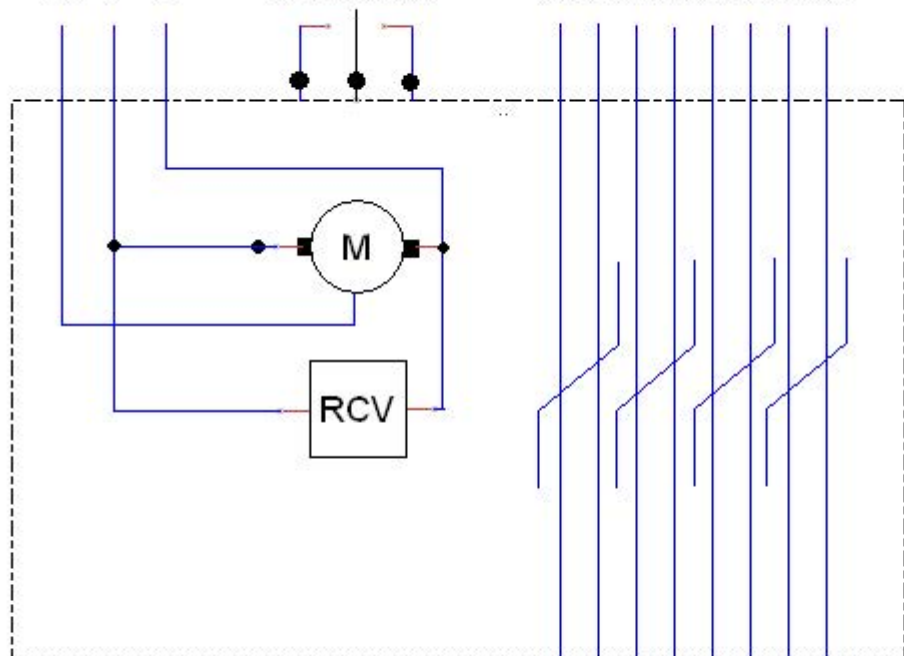
CIRCUIT 1

down / up ...

PE N L

white black red

C1 C2 C3 C4 C5 C6 C7 C8



CCTV Cat5

C1 C2 C3 C4 C5 C6 C7 C8

8 wires, twisted pair