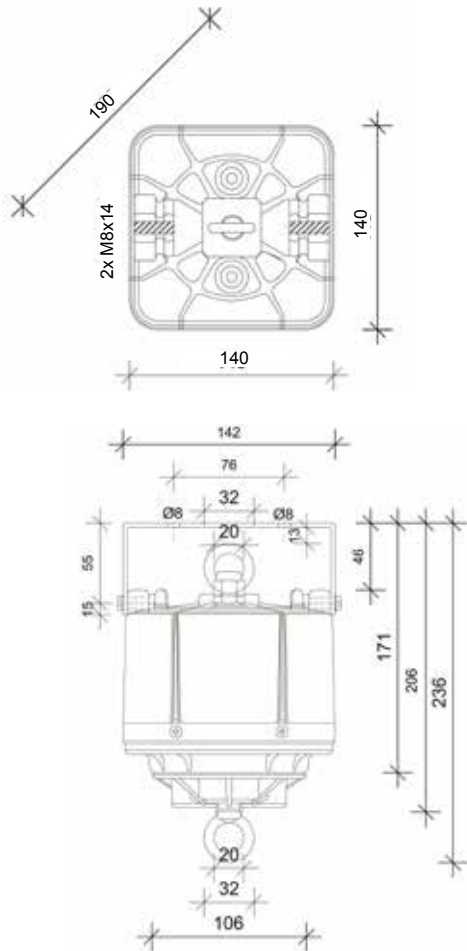
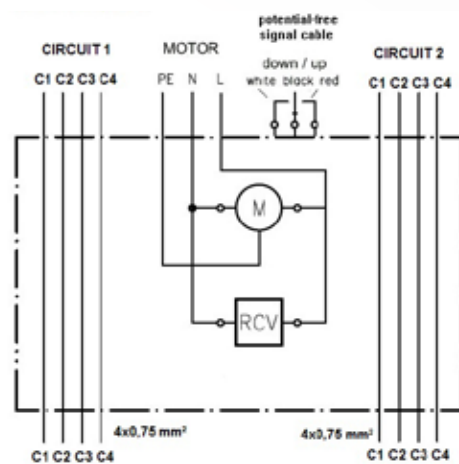


Universal-Lifts

For railway signalling applications, sensors, audio or lighting applications where more than two lines are required. Provides 8 straight through connections.



Dimensions:
CSI-12 M8c



Reel Tech Universal-Lifts

Universal-Lift	CSI-12 M8c
Lifting capacity	5-12 kg
Lowering distance	15 m
Suspension cable	single
Power supply motor	100 - 277 V AC / 50 - 60 Hz; 30W
Auxiliary contacts / capacity	8/6A, 42V (230V) AC
Protection category / class	IP 54/I
Temperature range	-15 °C to + 60 °C
Net weight / with packaging	3,5 / 3,9 kg